



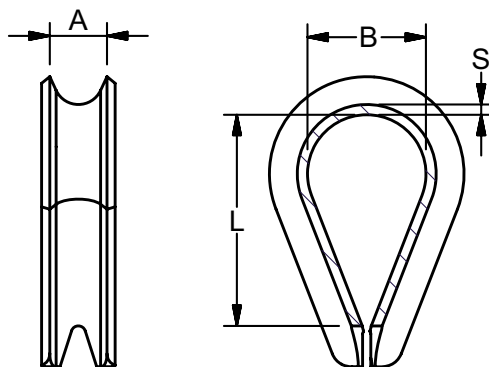
MARINE
RIGGING HARDWARE

THIMBLES

High Polished Stainless Steel - AISI 316

The Blue Wave thimbles are generally considered the best quality and value for the money on the market.

ART. NO	A	B	L	S	KG/100	PACK
110002	3	9,0	17	1,0	0,2	100
110003	4	10,0	18	1,0	0,3	100
110004	5	11,0	20	1,2	0,5	100
110005	6	13,0	21	1,2	0,7	100
110006	7	15,0	27	1,5	1,2	100
110007	8	19,0	33	1,5	1,5	100
110008	9	22,0	38	2,0	2,7	50
110009	10	24,0	41	2,0	2,9	50
110010	11	27,0	48	2,5	5,2	BULK
110012	14	29,0	53	2,5	5,5	BULK
110014	16	32,0	57	3,0	11,0	BULK
110016	18	40,0	67	3,0	12,0	BULK
110018	20	45,0	75	4,0	21,5	BULK
110020	22	52,0	84	4,0	32,0	BULK
110022	24	56,0	96	5,0	47,0	BULK
110026	28	65,0	115	6,0	80,0	BULK
110028	30	76,0	135	6,0	110,0	BULK
110032	34	88,0	160	6,0	156,0	BULK
110034	36	100,0	160	6,0	176,0	BULK
110036	38	110,0	176	6,0	192,0	BULK
110038	40	115,0	184	8,0	292,0	BULK
110040	42	120,0	192	8,0	320,0	BULK
110042	45	150,0	240	8,0	364,0	BULK



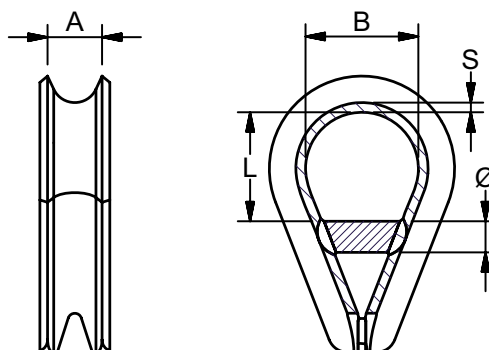
THIMBLES - Welded

High Polished Stainless Steel - AISI 316

The reinforced thimble is based on the standard thimble but extra force is attained by the addition of a welded bar, as well as the ends of the thimbles being welded together.

ART. NO.	A	B	L	Ø	S	KG/100	PACK
119909	10	24,0	24,0	6	2	3,2	25,0
119910	11	27,0	27,0	8	3	5,9	25,0
119912	14	29,0	29,0	8	3	6,3	25,0
119914	16	32,0	32,0	10	3	12,3	10,0
119916	18	40,0	40,0	10	3	13,6	10,0
119918	20	45,0	45,0	12	4	24,0	10,0
119920	22	50,0	50,0	12	4	34,8	10,0
119922	24	56,0	56,0	16	5	51,8	BULK
119926	28	60,0	60,0	16	6	85,6	BULK

Larger sizes on request

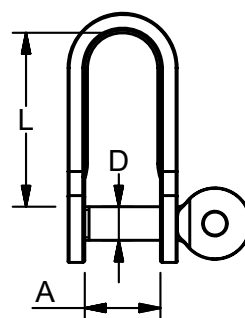


SHACKLES

High Polished Stainless Steel - AISI 304

ART. NO.	D	A	L	BL	KG/100	PACK
150041	M4	10	15	500 KG	0,5	100
150051	M5	12	17	1000 KG	1,6	100
150052	M5	16	24	1000 KG	1,6	100
150053	M5	16	36	1100 KG	1,8	100
155251	M5	13,5	25	1100 KG	1,5	100
155206	M6	16	23	1400 KG	1,6	50
150062	M6	14	40	2000 KG	2,9	50
150082	M8	18	42	3000 KG	5,0	50

Note: All breakloads are determined by pin and thread.

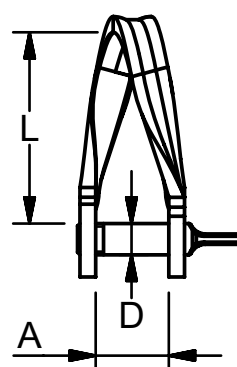


TWISTED SHACKLES

High Polished Stainless Steel - AISI 304

ART. NO	D	A	L	BL	KG/100	PACK
170005	M5	12	22	1200 KG	1,5	100
170053	M5	12	33	1200 KG	1,7	100
170006	M6	14	36	2000 KG	2,9	25
170008	M8	18	36	3000 KG	5,0	25

Note: All breakloads are determined by pin and thread.



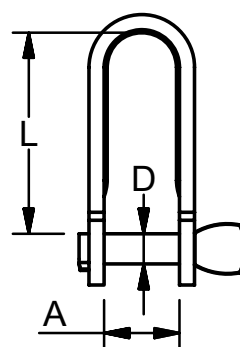
KEYPIN SHACKLES

High Polished Stainless Steel - AISI 304

Twisted and Key Pin

ART. NO.	D	A	L	BL	KG/100	PACK
180005	5	15	36	1000 KG	1,8	100
185205	5	13	26	1000 KG	1,5	100
180006	6	15	40	1650 KG	2,9	25
180008	8	20	41	2750 KG	5,0	25

Note: All breakloads are determined by pin.



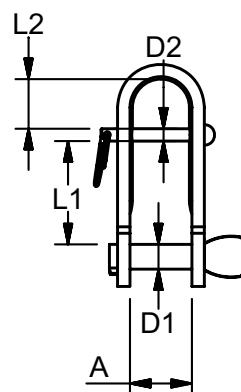
HALYARD SHACKLES

High Polished Stainless Steel - AISI 304

Twisted and Key Pin

ART. NO.	D1	D2	A	L1	L2	BL	KG/100	PACK
180352	5	3,0	12	14	9	700 KG	1,6	25
180305	5	3,0	15	21	12	700 KG	1,9	25
180306	6	3,0	14	25	12	1500 KG	3,0	25
180308	8	3,0	20	26	12	2000 KG	5,1	25

Note: All breakloads are determined by pin.





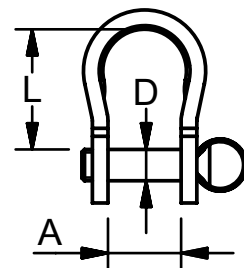
MARINE
RIGGING HARDWARE

BOW SHACKLES

High Polished Stainless Steel - AISI 304

ART. NO.	D	A	L	BL	KG/100	PACK
150061	M6	14	23	2000 KG	2,5	50
150081	M8	17	31	3000 KG	4,5	50
150010	M10	21	40	4800 KG	8,5	25
150012	M12	25	50	7000 KG	16,0	25

Note: All breakloads are determined by pin and thread.

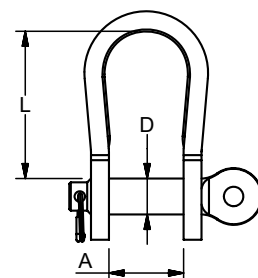


G-RING SHACKLES

High Polished Stainless Steel - AISI 304

ART. NO.	D	A	L	BL	KG/100	PACK
151010	M10	21	40	4800 KG	9,0	25
151212	M12	25	50	7000 KG	16,5	25

Note: All breakloads are determined by pin and thread.

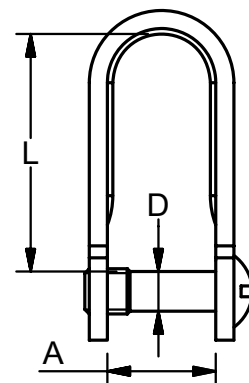


SAILMAKERS D-SHACKLES

High Polished Stainless Steel - AISI 304

ART. NO.	D	A	L	BL	KG/100	PACK
160041	M4	10	15	500 KG	0,5	100
160051	M5	12	17	1000 KG	1,0	100
160052	M5	16	24	1000 KG	1,6	100
160053	M5	16	36	1100 KG	1,8	100
165251	M5	13,5	25	1100 KG	1,5	100
165206	M6	16	23	1400 KG	1,6	50

Note: All breakloads are determined by pin and thread.



EYE STRAPS

High Polished Stainless Steel - AISI 304

Eye straps are used for various attachments and fixing points. Place it over two pre-drilled holes and if possible use a pop rivet for easy attachment

ART. NO.	D	B	L1	L2	H	KG/100	PACK
150401	4,2	9	28	11	12,0	0,3	100,00
155102	5,0	11	34	15	14,0	0,5	100,00
155203	5,3	12	44	20	19,0	1,0	100,00
155304	5,3	10	63	28	28,0	1,2	50,00
156205	6,4	14	67	32	33,0	2,0	50,00

