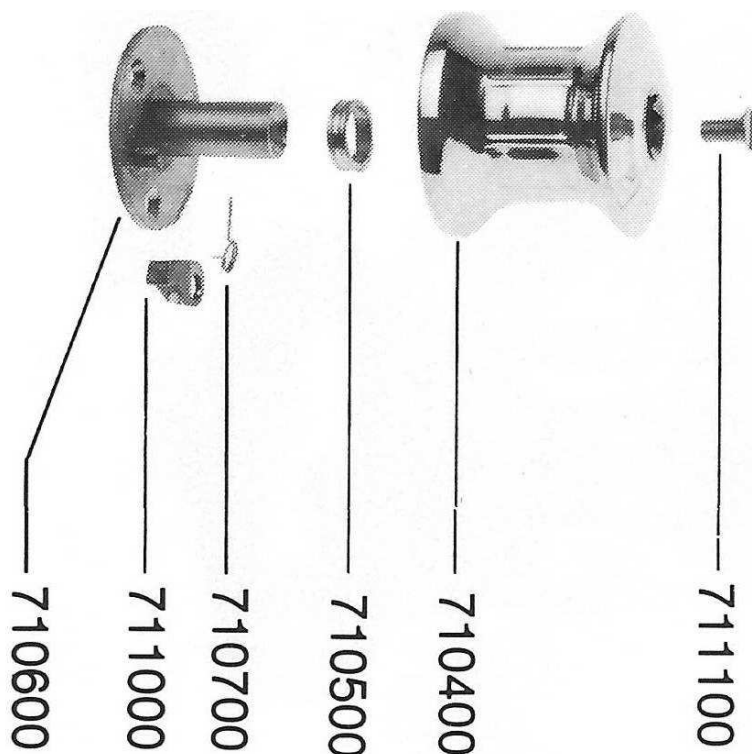


# No. 6 Single Speed Winch



*Sail Handling by*



**Stainless Steel Winches**

**Manufactured by:**

**Fr. Andersens Maskinfabrik A/S**

**DK – 7100 Vejle Denmark**

**[www.andersenwinches.com](http://www.andersenwinches.com)**

**E-mail: [info@andersenwinches.com](mailto:info@andersenwinches.com)**

## **SERVICE KIT 16**

**FOR WINCH 6**

**Part. No. 710016**

**The service kit consists:**

| QTY. | DECRPTION    | PART. NO.       |
|------|--------------|-----------------|
| 1    | Screw        | DIN963-A4-M8X16 |
| 1    | Space-washer | 710500          |
| 1    | Pawl         | 711000          |
| 2    | Armspring    | 710700          |

*Sail Handling by*



**Stainless Steel Winches**

Please unfold the this page to see the Complete Part List and Exploded View for the winch.

**Note! Variations can occur due to changes of the winch specifications.**