

Manufactured by:

Fr. Andersens Maskinfabrik A/S

DK – 7100 Vejle Denmark

[www.andersenwinches.com](http://www.andersenwinches.com)

E-mail: [info@andersenwinches.com](mailto:info@andersenwinches.com)



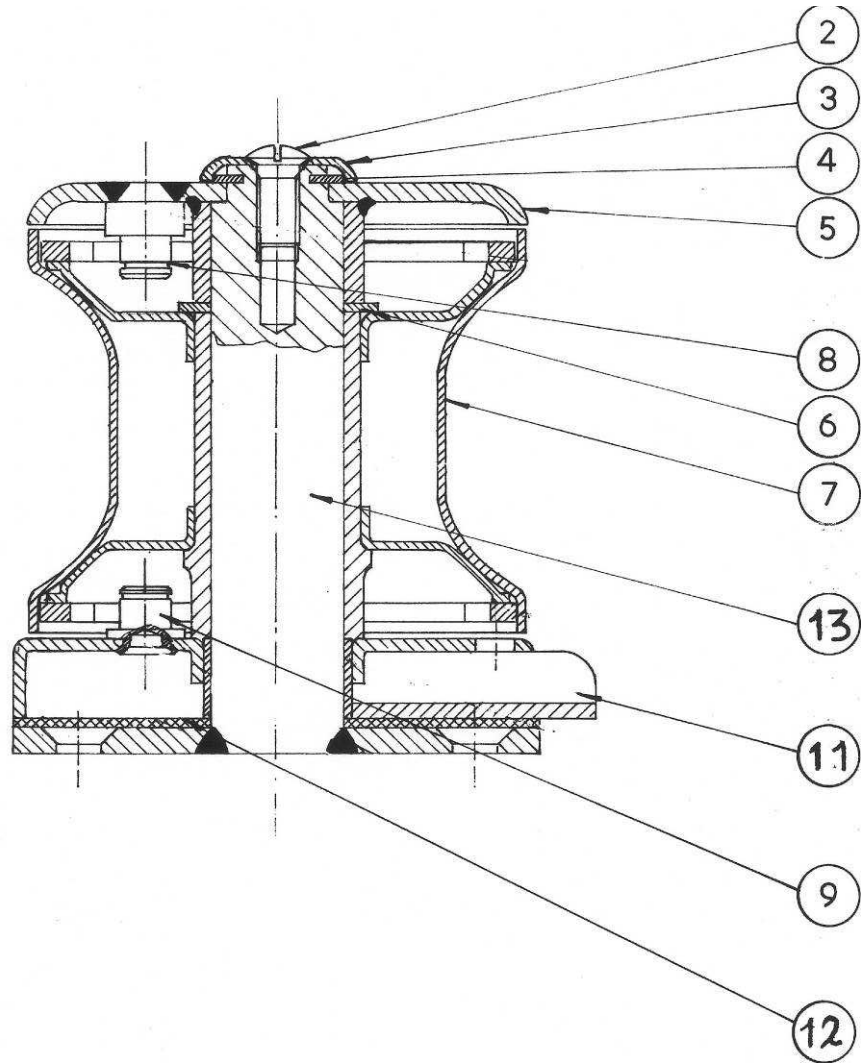
**SERVICE KIT 14**  
FOR WINCH 90 - 91 - 92  
FOR ANDERSEN WINCHES  
Part. No. 710014  
The service kit consists:

QTY.	DESCRIPTION	PART. NO.
1	Screw M6x10	DIN964-A4-M6X10
1	Seergering Ø10	DIN6799-10
2	Seergering Ø8X0,8	DIN471-A2-A8
1	Spring	590500
1	Nylon washer Ø30xØ20	961200
1	Delrin washer Ø79XØ20	961600
1	Pawl	962000
1	Upper cover washer	964600

Please unfold the this page to see the Complete Part Lists and Exploded Views for the winches.

Note! Variations can occur due to changes of the winch specifications.

ANDERSEN Winch 91



ANDERSEN Winch 92

