

MOUNTING INSTRUCTION WINCH 102

1. Remove nut (14)
2. Remove handle (13)
3. Remove shaft cover tube (11)
4. Slide shaft/top (1) up through winch
5. Remove drum (5)
6. Mark location of the bolt holes, using the winch base (9) as a template
7. Remove the base. Be sure that no dust comes into contact with the winch while drilling the bolt holes
8. Drill the bolt holes $\varnothing 6,5\text{mm}$. Centre hole $\varnothing 23\text{mm}-\varnothing 25\text{mm}$
9. Clean the area
10. Apply a light coat of bedding compound, ensuring that each hole is bedded.
11. Fasten base (9) into place using 6 pcs M6 countersunk head screws. Use large washers or a backing plate.
12. Reassemble in reverse order
13. Check that the winch is functioning correctly

SERVICE INSTRUCTION WINCH 102

Maintenance interval 1-2 years, depending on operating conditions.

1. Remove nut (14)
2. Remove handle (13)
3. Remove shaft cover tube (11)
4. Slide shaft/top (1) up through winch*
5. Remove drum (5)
6. Clean all moving parts with benzene.
7. Check pawls & springs (2,8) for wear and replace if necessary
8. Reassemble the winch lightly greasing all moving parts. We strongly recommend to use ANDERSEN Winch Grease for this purpose.
9. Check that the winch is functioning correctly.

*) If not regularly greased the shaft cover tube can be difficult to remove, especially on older models, where the shaft cover tube is fitted directly on the shaft. To loosen the tube, tap it with a rubber hammer, while supporting the other side with a wooden block. The tube can also be loosened by tapping the shaft/top up with a rubber hammer. Be sure to tap the shaft with the nut attached, to protect the thread.

PARTS LIST WINCH 102 Ver.1.1

| POS | QTY | DESCRIPTION | PART NO. |
|-----|-----|------------------------|--------------|
| 1 | (1) | WINCH SHAFT/TOP 100MM | 966710 |
| | (1) | WINCH SHAFT/TOP 150MM | 966715 |
| | (1) | WINCH SHAFT/TOP 200MM | 966718 |
| 2 | 1 | PAWL W/SPRING | 966301 |
| 3 | 1 | CIRCLIP | DIN471-A2-A8 |
| 4 | 1 | BUSHING | 966800 |
| 5 | 1 | DRUM 100-101-102 | 963905 |
| 6 | 1 | WASHER | 967000 |
| 7 | 1 | CIRCLIP | DIN471-A2-A8 |
| 8 | 1 | PAWL W/SPRING | 966301 |
| 9 | 1 | WINCH BASE | 967100 |
| 10 | 1 | BUSHING | 967201 |
| 11 | (1) | SHAFT COVER TUBE 100MM | 967210 |
| | (1) | SHAFT COVER TUBE 150MM | 967215 |
| | (1) | SHAFT COVER TUBE 200MM | 967220 |
| 12 | 1 | BUSHING | 967201 |
| 13 | 1 | WINCH HANDLE 102 | 511021 |
| 14 | 1 | NUT F/HANDLE | 967500 |

SAFETY NOTICES

ALL WINCHES



Read All Safety Notices and Product Manuals

Do not install or operate this winch before reading and fully understanding the contents of this Safety Notice Sheet and the Product Manual.



Stay Alert When Operating

Andersen winches are very powerful and have the potential to cause significant damage and/or serious injury if used improperly or without due caution and vigilance.



Operators Must Be Trained

Help prevent significant damage and/or serious injury by ensuring any person operating a winch has a thorough understanding of its proper operation and is aware of the potential hazards involved. As a minimum, all winch operators must read and understand this Safety Notice Sheet and the Product Manual. Particular attention is drawn to the following points:

- Children and others not qualified to operate an electric winch must be kept at a safe distance from the winch and any rigging or fittings that are under load.
- Long hair and/or loose clothing must be tied back to avoid being caught in the winch.
- In the event of a rope override or other fault, stop the winch and turn off power before attempting to resolve the problem.



Avoid Accidental Operation

Remove winch handles and turn off power to the winch when not in use to help avoid unsupervised or unintentional operation. Failure to do so could result in significant damage and/or serious injury.



Maintenance

Turn off power to the winch before performing any maintenance or service tasks. Failure to do so could result in significant damage and/or serious injury.



Lifting Operations

The winch must not be operated with the rope in the self tailer when used in any kind of lifting operation.

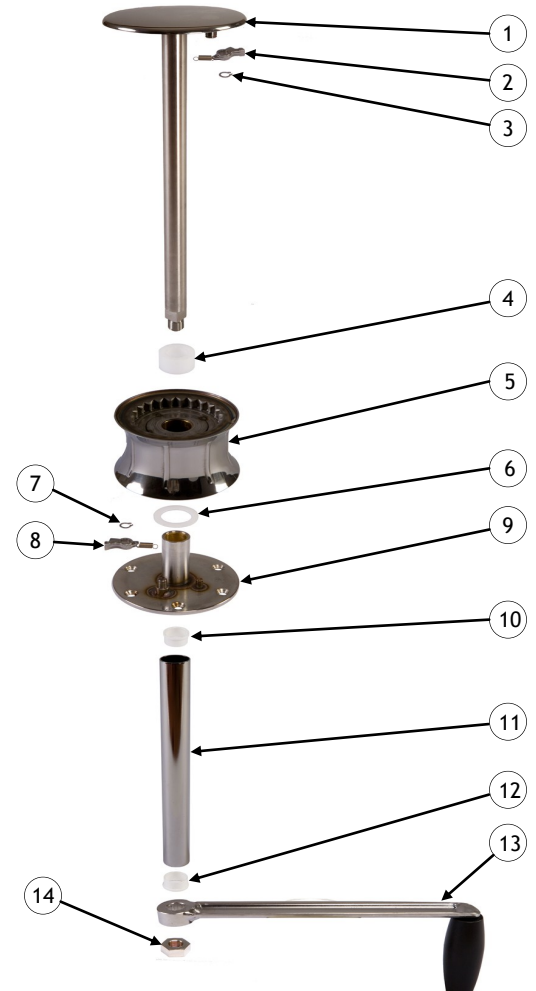
Any lifting operations should be conducted by two persons in order to maintain constant visual contact with the object being lifted.

Furthermore the selftailer must not be used as a cleat for a rope used to lift or suspend any object. The rope must be secured properly by tying off, or leading to a suitable fitting such as a cleat or bollard.

Failure to observe these precautions could result in serious injury or death.

DO NOT DISCARD

EXPLODED VIEW WINCH 102



WORLD WIDE DISTRIBUTION & SERVICE

(FOR UPDATED DISTRIBUTOR LIST, PLEASE SEE WWW.ANDERSENWINCHES.COM)

WARRANTY

Refer to our website www.ronstan.com/warranty for our warranty terms and conditions

Part no.: 710293

Manual
WINCH 102
ver. 1.1

